

SDM630MCT 40mA Smart Power Sensor Quick Guide



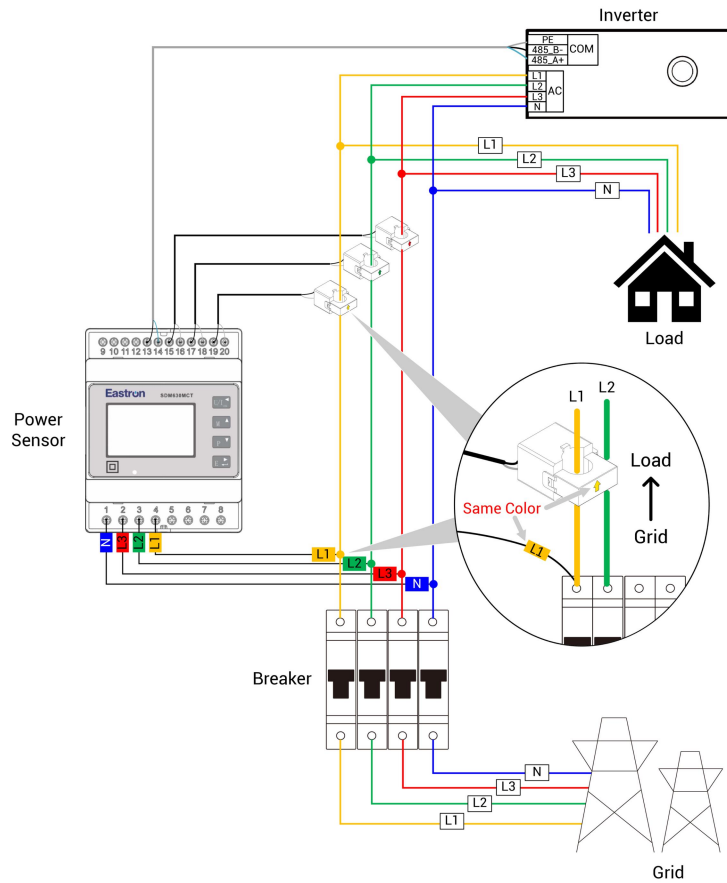
Please scan the QR code to obtain the electronic version of the quick guide and user manual



Add: No.52, Dongjin Road, Nanhu, Jiaxing, Zhejiang, 314001, China.
Tel: 0086-573-83698881/83698882
Fax: 0086-573-83698883
Web: www.eastron.com.cn

Three-Phase Four-Wire (3P4W)

Wiring Guide



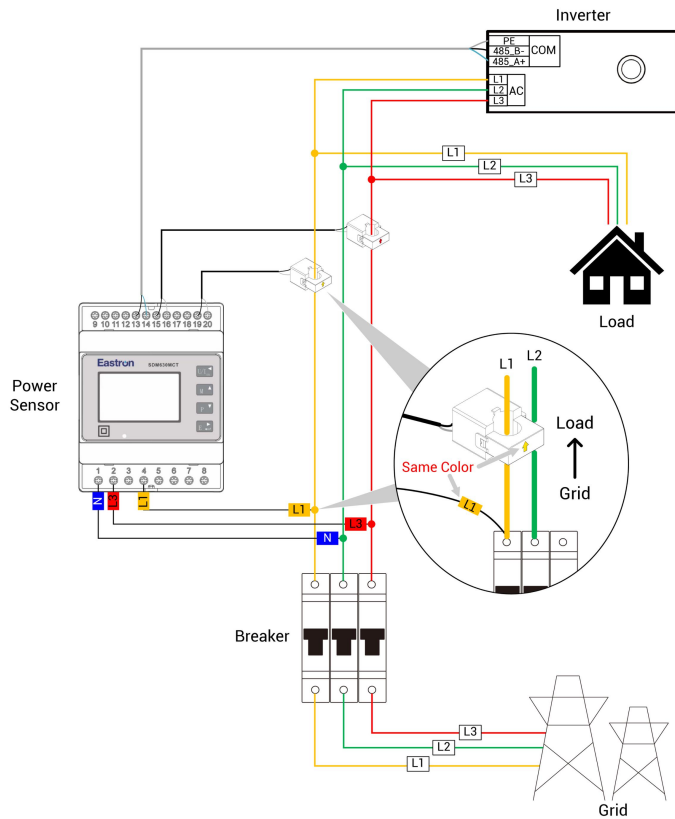
3P4W Setup Guide (Default 3P4W, no setting required)

Notes:

1. Power sensor has been pre-connected with CTs and voltage sampling wires, please check whether the wiring is tight before and after installation.
2. Please ensure that CT (Label) and voltage sampling wires (Sleeve) on the same phase have the same color. Phase line and N line cannot be mixed.
3. Make sure the direction of the arrow on CT point from grid to load.
4. Power sensor requires circuit breaker for protection, otherwise the voltage sampling wires need to be connected with a fuse in each phase . Recommended fuse specification: 400Vac/1A
5. The color on the CT and voltage sampling wires are specially applied to guide the wiring, the purpose is to ensure CT and voltage sampling wires are correctly matched for each phase, please note that it is not a phase color marking, we use the label marking (L1, L2, L3) method for each phase instead.

Three-Phase Three-Wire (3P3W)

Wiring Guide



Notes:

- Suitable for SigenStor EC X TPLV and Sigen Hybrid X TPLV
- Power sensor has been pre-connected with CTs and wires, please check whether the wiring is tight before and after installation.
- For the 3P3W grid, follow the steps below for installation:
 - Remove the CT (Port 17, 18) and voltage sampling wires (Port 3) of the L2 (Green) phase before wiring.
 - Install the CT and voltage sampling wires of L1 (Yellow) and L3 (Red) to two of the phase lines.
 - Connect N-phase (Blue) voltage sampling wires to the third phase line.
 - Make sure that the CT (Label) and voltage sampling wires (Sleeve) on the same phase have the same color. Phase line and N line cannot be mixed.
- Make sure the direction of the arrow on CT point from the grid to the load.
- Power sensor requires circuit breaker for protection, otherwise the voltage sampling wires need to be connected with a fuse in each phase . Recommended fuse specification: 400Vac/1A

3P3W Setup Guide



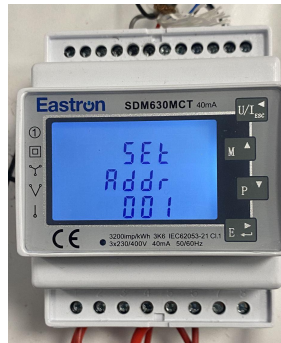
1. Initial interface after power on



2. Press E button for 3s to enter the password input interface



3. Press M button to enter the password (default 1000)



4. Press E button for 3s to enter the setting interface



5. Press P button to select SYS, and press E button for 3s to enter SYS setting interface



6. Press P button to select 3P3, then press E button for 3s to exit SYS setting, then press U/I button for 3s to exit the initial interface.