

Monocrystalline Photovoltaic Module »



# MEPV 120 ULTRA PREMIUM

## BLACK » 400 Wp



### QUALITY »



**IBC technology**  
Interdigitated  
back contact



**N-type cell**  
120 Half-Cut IBC



**Staubli MC4**  
Top quality components



**Premium integration**  
Total black



**Long durability**  
90% at the 30th year



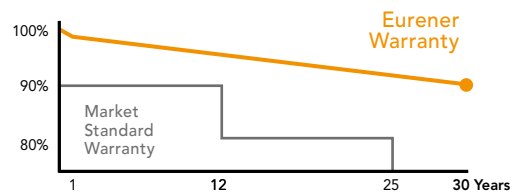
**+22% Efficiency**  
Over 22% efficiency



### WARRANTIES »

**20 YEARS PRODUCT WARRANTY**  
+5 years for Premium Partners

**30 YEARS PERFORMANCE WARRANTY**  
Linear Warranty



### CERTIFICATES »



## TECHNICAL FEATURES »

### Eurener\_MEPV 120\_ULTRA PREMIUM\_400Wp\_2022EN

#### FRAME

Black anodized aluminium

Robust and resistant to corrosion

#### CONNECTION BOX AND PROTECTIONS

Sealed, robust and wide for heat dissipation

IP68 according to IEC 60529

Diodes by-pass built-in 3

Connector MC4

Application Class A. Safety Class II

Cables 1000 mm ( $\pm 20\%$ ) length and 4 mm<sup>2</sup> section

#### FRONTAL

3,2 mm thick tempered glass with high strength and ARC

Textured, extra-clear with low iron content

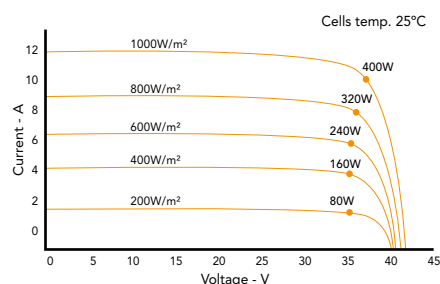
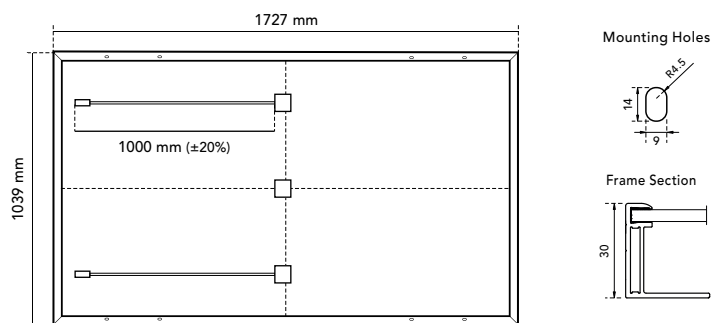
Frontal load (snow) 5400 Pa | Back load (wind) 2400 Pa

#### SOLAR CELLS

120 (6x20) cells monocrystalline silicon

#### WEIGHT, DIMENSIONS AND PACKAGING

20 Kg | 1727 x 1039 x 30 mm ( $\pm 1\%$ ) | Pack: 949 pcs-truck



## ELECTRIC DATA »

BLACK	MEPV 400
<b>STC: 1000 W/m<sup>2</sup>, module temperature 25°C, AM 1,5</b>	
Nominal power. Pmax	400 Wp
Max. power tolerance. Pmax	0 / +5 W
Area of the module	1,79 m <sup>2</sup>
Module efficiency	22,30 %
Isc	12,05 A
Voc	42,10 V
Imp	11,09 A
Vmp	36,10 V
<b>NOCT: 800 W/m<sup>2</sup>, ambient temperature 20°C, AM 1,5</b>	
Nominal power. Pmax	302 W
Isc	9,65 A
Voc	40,30 V
Imp	9,02 A
Vmp	33,50 V
<b>Operating parameters. Temperature coefficients</b>	
Maximum voltage	1500 V
Maximum series fuse rating. Ir	20 A
$\alpha$ Isc	0,046 % / °C
$\beta$ Voc	- 0,246 % / °C
$\gamma$ Pmax	- 0,290 % / °C
Temperature range	- 40°C ~ + 85 °C
NOCT	43 $\pm$ 2 °C

NOTE: Read the instruction manual of this product and follow the indications STC. Values are valid for: 1000W/m<sup>2</sup>, AM 1,5 and cells temperature of 25°C. Measurement tolerance  $\pm 3\%$  (AAA Solar simulation -IEC 60.904-9-). All the information of this brochure may be amended without notice by Eurener. Eurener\_MEPV 120\_ULTRA PREMIUM\_400Wp\_EN\_NOV2022

1997 to 2022  
**25**  
TH  
ANNIVERSARY

[www.eurenergroupp.com](http://www.eurenergroupp.com)  
contact@eurenerworld.com  
+34 960 045 515  
Calle Colón, 1-23  
46004, Valencia, Spain

## 25 years manufacturing a better world

Since 1997 our main purpose has been to supply quality and long-lasting photovoltaic modules that allow us and future generations, to continue generating clean energy to take care of our planet.